



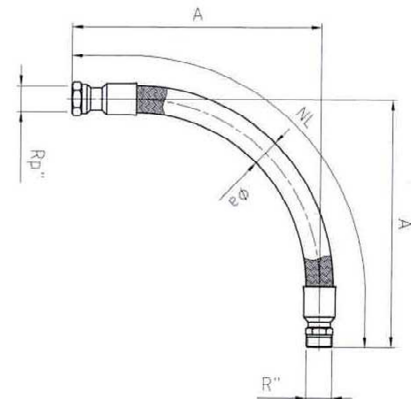
BOA-DUO® ELBOW

Stainless steel hose

Double-ply metal hose assembly made of stainless steel, with simple stainless steel braid, one side with hexagon threaded nipple according to ISO 7-1, the other end with female thread according to ISO 7-1, brazed.

Materials:

Corrugated hose: stainless steel 1.4571 (similar to 316Ti)
 Braid: stainless steel 1.4301
 Hex nipple: brass
 Socket: brass



Application fields:

Recommended as flexible connections to heating and sanitary installations in civil defence buildings needing to be tight even in an emergency, i.e. they must be absolutely resistant against fire, shock, vibration and pressure.

Max. working temperature: $\vartheta_{max} = 300^{\circ}\text{C}$

DN [mm]	Thread Rp ["]	Ø Outside [mm]	Nominal pressure PN [bar]	Installation length A [mm]	Nominal length NL [mm]	BOA item n° [-]
10	3/8"	15.60	25	400	650	M-0001283
16	1/2"	22.90	25			M-0001284
20	3/4"	28.30	25			M-0001285
25	1"	33.30	25			M-0001286
32	1 1/4"	42.70	25			M-0001287
40	1 1/2"	51.10	16			M-0001288
50	2"	63.40	16			M-0001289

Preferred series; usually available at short term

Useful data for placing an inquiry or order:

- Item description: BOA-DUO® ELBOW
- BOA item n° (M-)
- DN
- Quantity

The three leaflets for metal hoses and metal hose assemblies "Technical Information", "Installation Instructions" and "Guarantee/ Delivery terms/ Conditions" are integrating part of the present product data sheet.